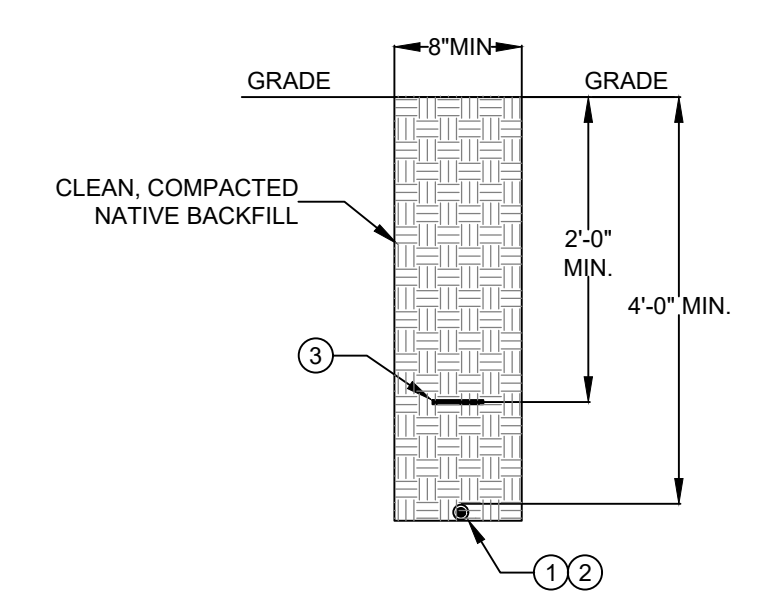
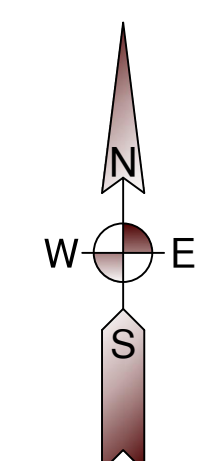


LEGEND	
XXX	WIND TURBINE GE 2.3 MW
XXX	WIND TURBINE GE 2.5 MW
— F1 —	FEEDER 1
— F2 —	FEEDER 2
— F3 —	FEEDER 3
— F4 —	FEEDER 4
— F5 —	FEEDER 5
— F6 —	FEEDER 6
— F7 —	FEEDER 7
— F8 —	FEEDER 8
— F9 —	FEEDER 9
— FBR —	SOLE FIBER
— —	ROAD R.O.W.
— XXX —	BORE
— —	ACCESS ROADS
— DT —	DRAIN TILE
●	MET TOWER
[JBX-X]	JUNCTION BOX

- GENERAL NOTES:**
- CALL FOR LOCATES PRIOR TO CONSTRUCTION.
 - INSTALL WITHIN ROAD RIGHT OF WAY. CONTRACTOR TO VERIFY ROAD RIGHT OF WAY LIMITS PRIOR TO CONSTRUCTION.
 - CONTRACTOR TO FIELD DETERMINE BEST LOCATION FOR ROUTE OF FIBER WITHIN THE ROAD RIGHT OF WAY. CONTRACTOR CAN UTILIZE EITHER SIDE OF ROAD AS NEEDED.
 - CONTRACTORS TO ADD FIBER HANDHOLES AS NEEDED FOR EASE OF INSTALLATION. THEY SHALL BE PLACED A MINIMUM OF ONE MILE APART. GPS LOCATES SHALL BE TAKEN AT ALL FIBER SPLICE LOCATIONS. FIBER HANDHOLES SHALL NOT BE PLACED WITHIN THE INTERSTATE 35 RIGHT-OF-WAY.
 - CONTRACTOR TO ADD OR REMOVE BORES AS NEEDED FOR CONTRACTIBILITY.

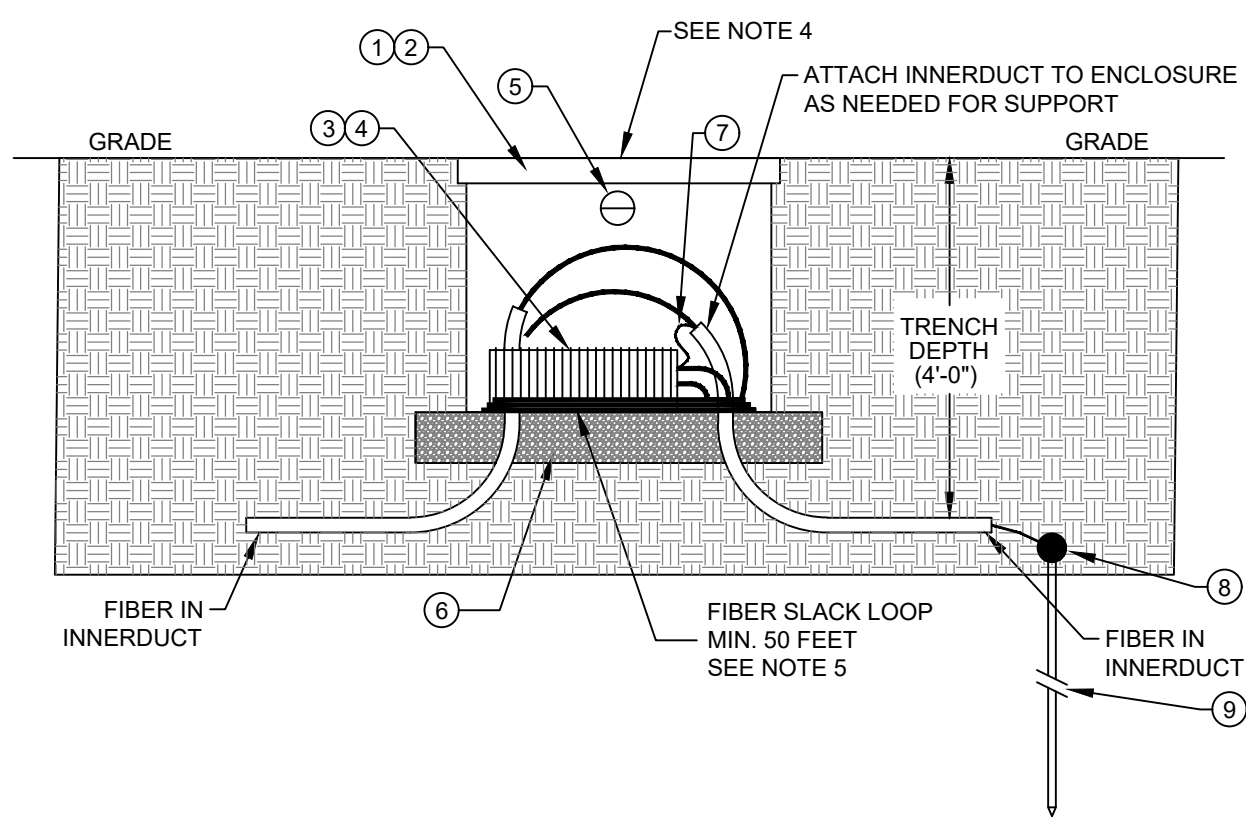


ITEM	ESTIMATED QUANTITY	UNIT	DESCRIPTION	MANUFACTURER (OR EQUAL)
①	AS REQ'D	FT	12-STRAND SINGLE MODE FIBER	PRYSMIAN
②	AS REQ'D	FT	FIBER INNERDUCT, 1.25", SDR 11	CARLON
③	AS REQ'D	FT	6" CABLE WARNING TAPE FOR FIBER, DETECTABLE	3M

NOTES:

- INSTALL WITHIN ROAD RIGHT OF WAY. CONTRACTOR TO VERIFY ROAD RIGHT OF WAY LIMITS PRIOR TO CONSTRUCTION.
- CONTRACTORS TO ADD FIBER HANDHOLES AS NEEDED FOR EASE OF INSTALLATION. GPS LOCATES SHALL BE TAKEN AT ALL FIBER SPLICE LOCATIONS. FIBER HANDHOLES SHALL NOT BE PLACED WITHIN THE INTERSTATE 35 RIGHT-OF-WAY.

1 FIBER TRENCH LAYOUT
NOT TO SCALE



ITEM	ESTIMATED QUANTITY	UNIT	DESCRIPTION	MANUFACTURER (OR EQUAL)	PART NUMBER (OR EQUAL)
①	1	EA	HANDHOLE ENCLOSURE	HUBBELL	CDR B19304836A
②	1	EA	HANDHOLE ENCLOSURE COVER	HUBBELL	C16304803A***
③	1	EA	SPLICE CLOSURE	PLP	8006951
④	1	EA	SPLICE TRAY	PLP	LGSTS16
⑤	1	EA	EMS BALL MARKER	3M	80611161144
⑥	AS REQ'D	YD	PEA GRAVEL (6" THICK)	SOUTHWIRE	----
⑦	20	FT	#2 SOLID BARE COPPER	----	----
⑧	1	EA	CONNECTOR, #2 CU TO GROUND ROD	BURNDY	YGH34C26
⑨	1	EA	3/4" X 10' COPPERBONDED GROUND ROD	ERITECH	613403

NOTES:

- GPS LOCATES SHALL BE TAKEN AT ALL FIBER SPLICE LOCATIONS.
- VERIFY HANDHOLE ENCLOSURE LOCATION WITH OWNER PRIOR TO INSTALLATION.
- INSTALL HANDHOLE ENCLOSURE AND FIBER SPLICES PER MANUFACTURER'S INSTRUCTIONS.
- HANDHOLE SHALL BE INSTALLED AT GRADE WITH COVER AND MARKER. COORDINATE THE DEPTH AND LOCATION OF HANDHOLE WITH OWNER IF NOT POSSIBLE TO INSTALL AT GRADE.
- THE LONG TERM MINIMUM BENDING RADIUS SHALL BE 12X THE OUTER DIAMETER UNLESS OTHERWISE SPECIFIED BY THE MANUFACTURER.
- FIBER SPLICES SHALL BE LOCATED IN A SEPARATE LOCATION THAN THE ELECTRICAL CONDUCTOR SPLICES. NO RUNNING SPLICES SHALL BE MADE.

2 FIBER SPLICE HANDHOLE ENCLOSURE DETAIL
NOT TO SCALE

ISSUED FOR CONSTRUCTION

INTERSTATE POWER AND LIGHT COMPANY
WHISPERING WILLOW NORTH WIND FARM
COLLECTION SYSTEM
SOLE FIBER ROUTING
HAMPTON, IA

NO.	DATE	REVISION	BY	CHKD	APVD
1	08-06-2019	ISSUED FOR CONSTRUCTION	AS	JH	BC
0	08-05-2019	ISSUED FOR CONSTRUCTION	AS	JH	BC

CONFIDENTIAL
These documents are for the use of Alliant Energy. Alliant Energy disclaims all warranties, both expressed and implied. Use by anyone other than Alliant Energy is at their own risk.

Ulteig
Bismarck - Denver - Detroit Lakes - Fargo - St. Paul - Sioux Falls
4285 Lexington Avenue N.
St. Paul, Minnesota 55126
Phone: 651-415-3800 Fax: 888-858-3440
Web: www.ulteig.com

WHITE
an IVEA company

ALLIANT ENERGY
Interstate Power and Light

DWG. NO. 01077-COL-F4